

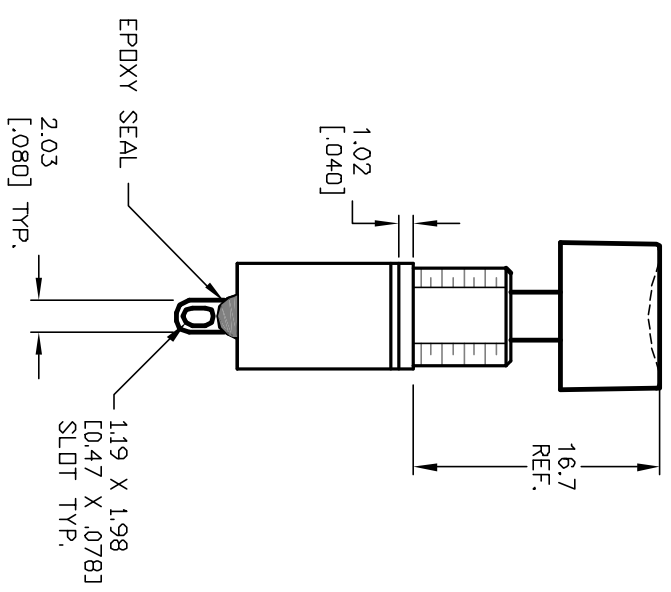
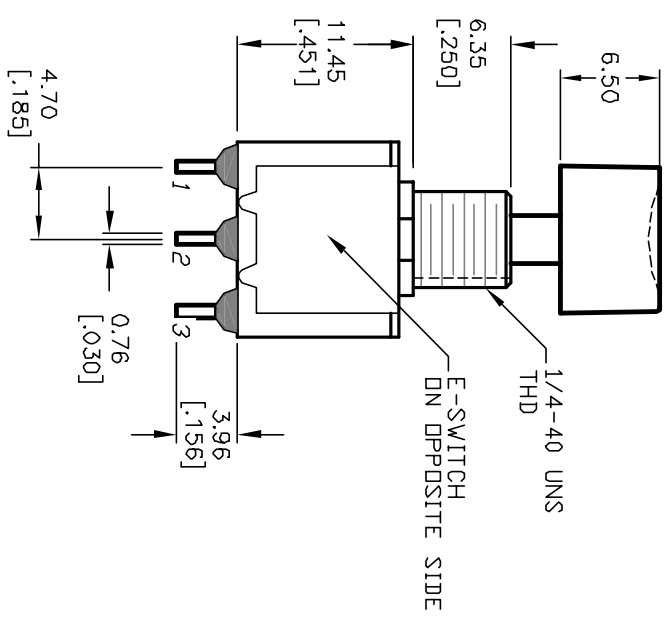
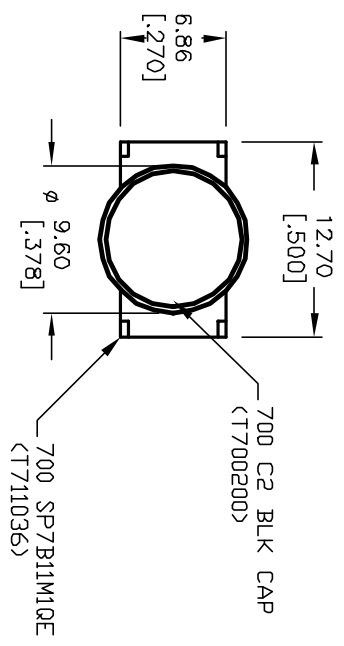
CIRCUIT: SPDT

SWITCH FUNCTION	
DN	<DN>
1-3	1-2

< > = MOMENTARY

NOTES:

1. ALL DIMENSIONS IN MM [INCH]
2. GENERAL TOLERANCE: X.X=±0.4
X.XX=±0.25
3. TERM. NOS. FOR REF. ONLY
4. RATING: 1A @120VAC or 28VDC
5. CONTACT RESISTANCE: 10mILLI-ohms initial @2-4VDC
6. ELECTRICAL LIFE: 50,000 make-and-break cycles at full load.
7. INSULATION RESISTANCE: 1,000M ohm min.
8. DIELECTRIC STRENGTH: 1000V RMS @sea level
9. OPERATING TEMP.: -30°C to 85°C



REV.	ECN No.	DESCRIPTION	DATE	CHKD
A	12476	RELEASED FOR PRODUCTION	9/25/02	CJB

TITLE	SCALE	DATE	DR	DWG	REV
700 SP-7 B11 M1 Q E/C2 BLK	2:1	9/25/02	CJB	XT0106P	A



THE INFORMATION CONTAINED IN THIS DOCUMENT IS PROPRIETARY TO E-SWITCH AND IS NOT TO BE COPIED OR TRANSFERRED